

EI-TYPE SERIES

6-500W, Economy Audio Dry (NO-DC) Coupling Transformer

FEATURES

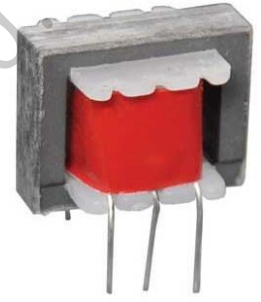
- Wide working voltage range
- High power
- Small volume
- High efficiency

OPTIONS

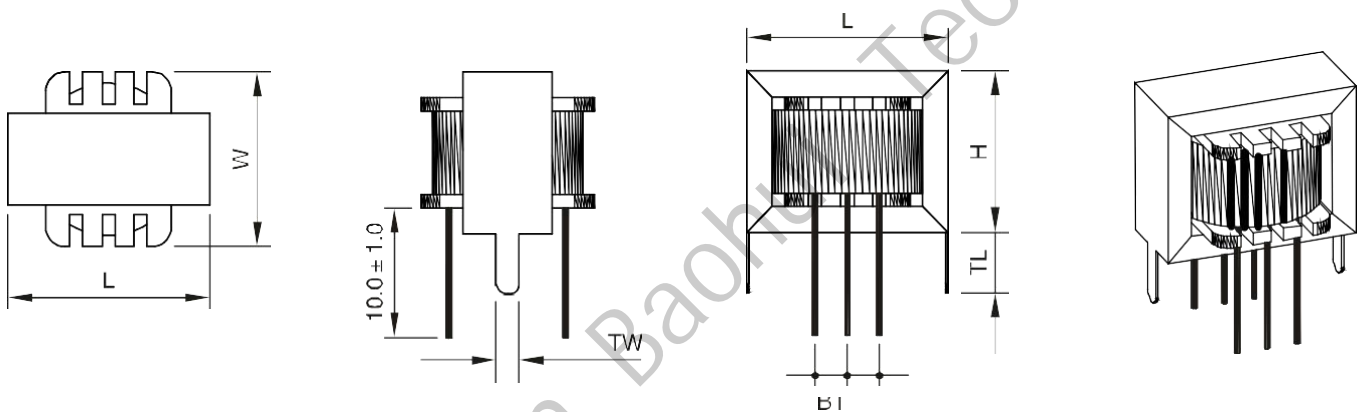
- Bulk packaging is standard
- Custom design available

APPLICATIONS

- Telephony
- Audio coupling / isolating
- Alarm system



TYPE	Dimension (mm)			CORE Ae (mm ²)	Maximum Power (W)	Working Frequency (KHZ)	Mounting Orientation
	L	W	H				
EI10	10.5	10.5	12.5	12.5	6	2~200KHZ	V
EI13	13	12.5	10	14.4	10	2~200KHZ	V
EI16	16.5	13.5	13	19.8	15	2~200KHZ	V
EI19	20.5	15.5	17.2	24	20	2~200KHZ	V
EI22	22.6	16.4	18.8	39.5	28	2~200KHZ	V
EI25	22.8	17.4	20.5	41	35	2~200KHZ	V
EI28	28.5	22.5	21.5	86	45	2~200KHZ	V
EI30	30.5	22	26.5	111	60	2~200KHZ	V
EI33	33.5	29	31.5	118.5	75	2~200KHZ	V
EI35	35.5	26.5	32	106.4	95	2~200KHZ	V
EI40	40.5	28.3	36	148	130	2~200KHZ	V
EI50	52	40	42	230	230	2~200KHZ	V
EI70	71	55	64.5	800.1	500	2~200KHZ	V



All Dimensions in mm